

C2800FDi DSP power amplifier 2x1400W, install



- Installation DSP amplifier, Euroblock connectors
- Fully integrated professional speaker processing with FIR Drive technology
- Market leading acoustic performance and rock solid reliability
- Low Z and 70/100V operation and power saving standby mode
- Intuitive system control software, makes setup and control easy

Technical specifications

Load Impedance	2 Ω	2.7 Ω	4 Ω	8 Ω
Maximum Output Power, Single Channel	2300 W	2000 W	1400 W	700 W
Maximum Output Power, Dual Channel	2200 W	1800 W	1300 W	650 W
Maximum Output Power, Bridged	-	-	4400 W	2600 W
Direct Drive Load Capability Dual Channel Bridged	70 V Operation 2 x 1250 W (0.0 dB) Not recommended ¹	100 V Operation 2 x 1250 W (-3.0 dB) 1 x 1250 W (0.0 dB)		
Maximum RMS Voltage Swing THD = 1%, 1 kHz		78.8 V		
Voltage Gain Ref.1 kHz		32.0 dB		
THD at 900 W/4 Ω MBW = 80 kHz, 1 kHz		< 0.05%		

IMD-SMPTE, 60 Hz, 7 kHz	< 0.1%
DIM30, 3.15 kHz, 15 kHz	< 0.05%
Maximum Input Level	+21 dBu
Crosstalk ref. 1 kHz, at 100 W/4 Ω	< -80 dB
Frequency Response, ref. 1 kHz	10 Hz to 21 kHz (± 1 dB)
Input Impedance, Active Balanced	20 k Ω
Signal to Noise Ratio Amplifier, A-weighted, ref to Max. Output Power @ 8 Ω	>107 dB
Output Noise, A-weighted	< -68 dBu

Output Stage Topology	Class H
Power Requirements	240 V, 230 V, 120 V or 100 V; 50 Hz to 60 Hz (factory configured)
Power Consumption 1/8 Maximum Output Power @ 4 Ω	700 W
Mains Fuse	240 V/230 V: T15AH; 120 V/100 V: T25AH
Protection	Audio limiters, high temperature, DC, HF, Back-EMF, Peak current limiters, Inrush current limiters, Turn on delay
Cooling	Front-to-rear, 3-stage-fans
Ambient Temperature Limits	+5°C to +40°C (40°F to +105°F)
Safety Class	I
Color	Black
Dimensions (W x H x D), mm	483 x 88 x 462.4
Weight	16.2 kg (35.7 lb)
Remote Power ON/GPIO	Power remote via switch, delay time selectable Floating relay contacts (show protect mode) Inputs for preset selection

Signal Processing	FIR Filters, Audio Limiters Output delay per channel, 31 band GEQ per channel, PEQ per channel, Load impedance
Accessories	RMK15 (rear rack mount kit), Multi Amplifier Remote Control (MARC) software

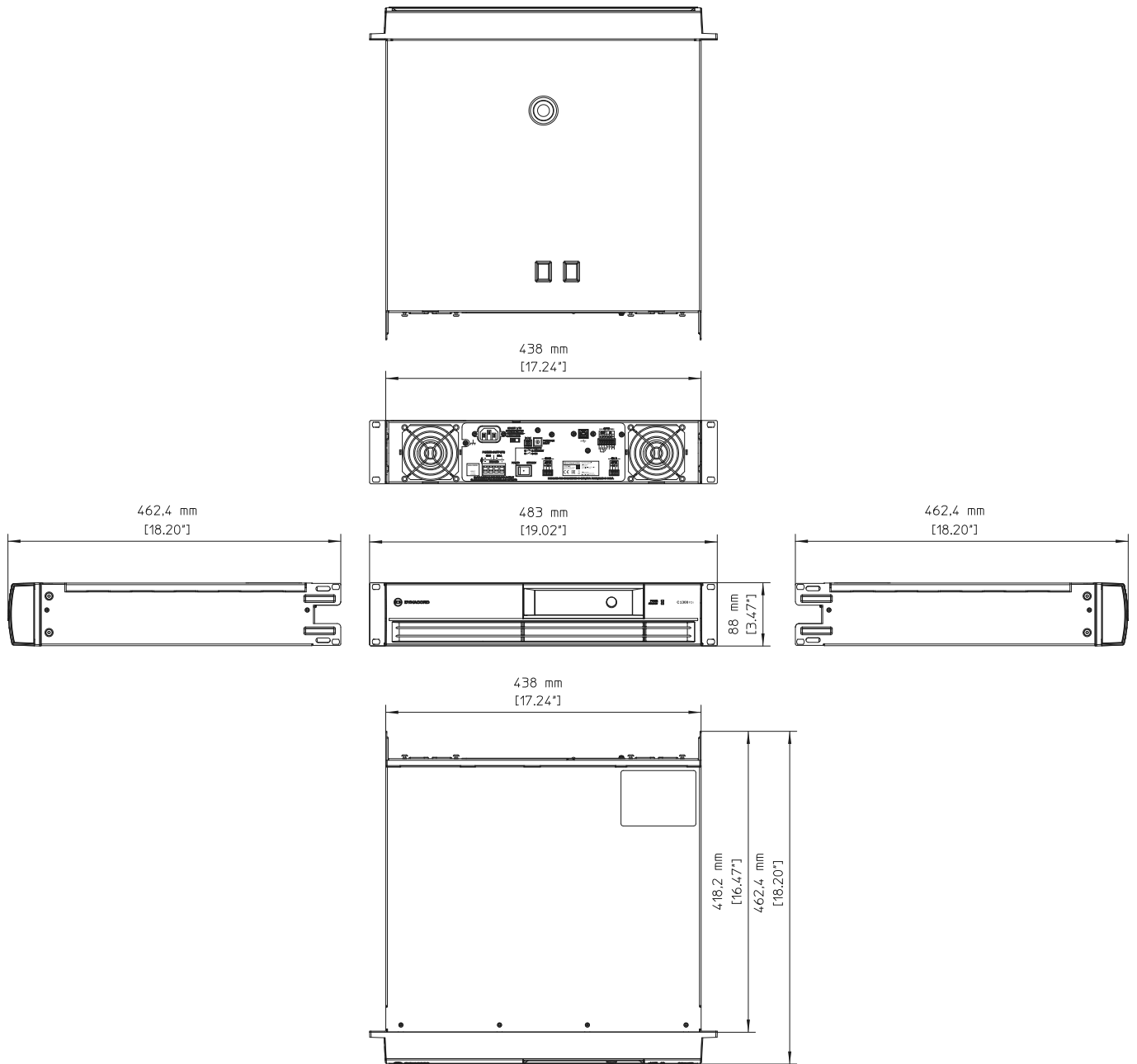
Test signal for max. output power according IHF-A-202 (Dynamic-Headroom, burst 1 kHz/20 ms on/480 ms off/low level -20 dBu).

Direct drive load capability

The direct drive load capability is a measure for the total wattage that can be driven in 70 V/100 V operation mode. A load capability value of 1250 watts means that this amplifier can drive e.g. 50 loudspeakers at a voltage tap of 25 watts. The dB value in parentheses indicates the delta to maximum modulation. In cases where the maximum modulation is not required you can use the smaller amplifier model.

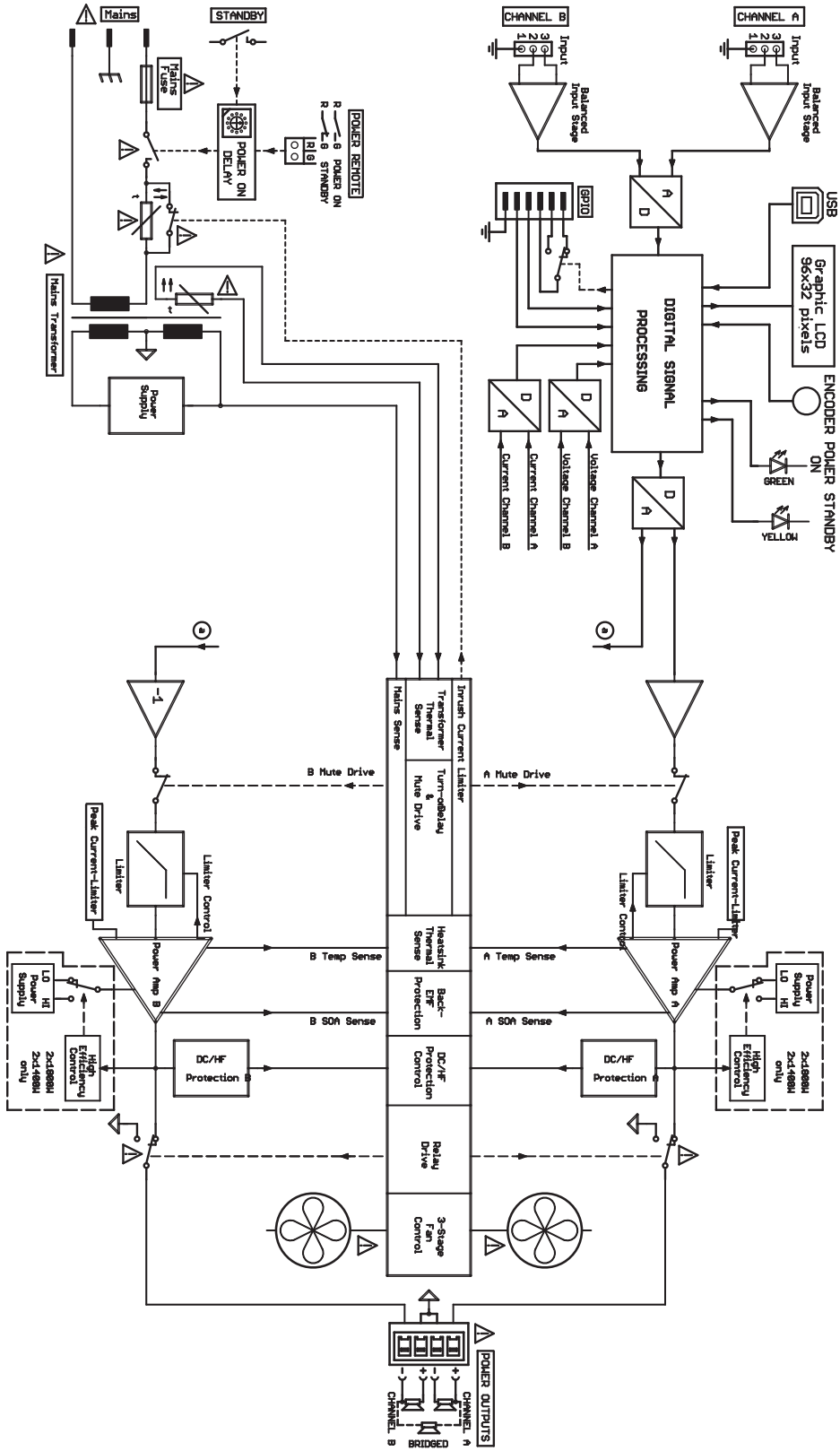
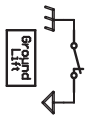
¹This operation mode is not recommended due to the efficiency reasons. Please use the next smaller amplifier for this mode.

²Direct drive mode not available for this configuration. C2800FDi is the recommended amplifier for 70V Direct Drive. Amplifier operated in Dual Channel mode.



Dimensions

SAFETY COMPONENT MUST BE REPLACED BY ORIGINAL PART



Block diagram

Ordering information

C2800FDI-AU DSP power amplifier 2x1400W, install AU

DSP power amplifier 2 x 1400W @ 4 ohms with FIR Drive, 70V/100V output, GPI remote power, black, Australian region
Order number **C2800FDI-AU**

C2800FDI-CN DSP power amplifier 2x1400W, install CN

DSP power amplifier 2 x 1400W @ 4 ohms with FIR Drive, 70V/100V output, GPI remote power, black, Chinese region
Order number **C2800FDI-CN**

C2800FDI-EU DSP power amplifier 2x1400W, install EU

DSP power amplifier 2 x 1400W @ 4 ohms with FIR Drive, 70V/100V output, GPI remote power, black, European region
Order number **C2800FDI-EU**

C2800FDI-JP DSP power amplifier 2x1400W, install JP

DSP power amplifier 2 x 1400W @ 4 ohms with FIR Drive, 70V/100V output, GPI remote power, black, Japanese region
Order number **C2800FDI-JP**

C2800FDI-UK DSP power amplifier 2x1400W, install UK

DSP power amplifier 2 x 1400W @ 4 ohms with FIR Drive, 70V/100V output, GPI remote power, black, UK region
Order number **C2800FDI-UK**

C2800FDI-US DSP power amplifier 2x1400W, install US

DSP power amplifier 2 x 1400W @ 4 ohms with FIR Drive, 70V/100V output, GPI remote power, black, North American region
Order number **C2800FDI-US**

DC-RMK15 RMK-15

Rack Mount Kit for amplifiers, Length 15,5"; 1L/1R
Order number **DC-RMK15**

Germany:

Bosch Sicherheitssysteme GmbH
Robert-Bosch-Ring 5
85630 Grasbrunn
Germany

Bosch Security Systems, Inc.
130 Perinton Parkway
Fairport, NY 14450
USA

www.dynacord.com