

RE3-ACC-ALPA Active log periodic antenna, 470-960MHz

- Extends system range
- Switchable 3 dB and 10 dB of active gain
- Mounts on standard threaded microphone stand



The ALPA is an active directional antenna with switchable 3 dB and 10 dB of amplified gain, which increases the desired RF signal while rejecting unwanted RF signals. ALPA mounts on a standard threaded microphone stand for easy placement. Intended to extend system range, ALPA should be used in conjunction with high-quality, low-loss coax cables such as items from the Electro-Voice CXU grade cables, which are available in various lengths. RF gain at the antenna can be increased by placing an RE3-ACC-RFAMP RF booster in line using short coax.

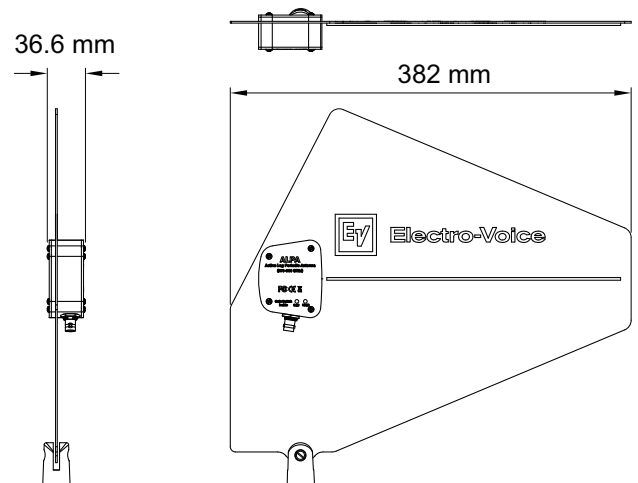
Technical specifications

| | |
|--------------------------|--------------------------------|
| Antenna type: | Active UHF directional antenna |
| Frequency band: | 470 to 960 MHz |
| Effective working angle: | 100 degrees |
| Antenna gain: | Selectable 3 dB and 10 dB |
| RF connector : | BNC |
| Color: | Black |

Net weight: 11.6 oz. (328 g)

Gross weight: 1 lb 11.5 oz. (780 g)

Dimensions:



Licensing and certification declarations:

FCC Supplier's Declaration of Conformity
47 CFR, Section 2.1077 Compliance Information

Product Identifier:
Electro-Voice:
RE3 Wireless Receiver, AASP Active Antenna Splitter, ALPA Active Log Periodic Antenna, RFAMP Antenna Booster, BC2 Battery Charger

Responsible Party – U.S. Contact Information
Bosch Security Systems, Inc.
130 Perinton Parkway
Fairport, NY 14450
USA
Tel: +1 (585) 223-4060

FCC Compliance Statement
This device complies with Part 15 of the FCC Rules. Operation is subject to the following two conditions: (1) This device may not cause harmful interference, and (2) this device must accept any interference received, including interference that may cause undesired operation.

IC: This Class B digital apparatus complies with Canadian ICES-003. Cet appareil numérique de la classe B est conforme à la norme NMB-003 du Canada. This device complies with Industry Canada license-exempt RSS standard(s). Operation is subject to the following two conditions:

- (1) This device may not cause interference, and
- (2) This device must accept any interference, including interference that may cause undesired operation of the device.

Le présent appareil est conforme aux CNR d'Industrie Canada applicables aux appareils radio exempts de licence. L'exploitation est autorisée aux deux conditions suivantes :

- (1) l'appareil ne doit pas produire de brouillage, et
- (2) l'utilisateur de l'appareil doit accepter tout brouillage radioélectrique subi, même si le brouillage est susceptible d'en compromettre le fonctionnement.

CE and EU: The CE Declaration of Conformity can be obtained and downloaded from:

www.electrovoice.com

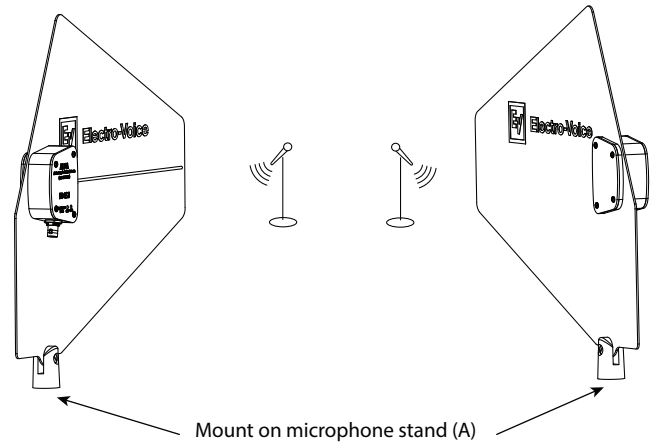
This Equipment is in compliance with CE requirements and the following directives:

- 2011/65/EU RoHS Directive
- 2012/19/EU WEEE Directive
- 2014/53/EU RED Directive

AU and NZ: This device is in compliance with Cispr32.

Installation/configuration notes

To mount the antenna, do the following:



A Mount on microphone stand

1. Select locations where antennas will be placed.
2. Attach each antenna to a threaded microphone stand or mounting flange with 5/8 x 27 thread.
3. Connect one end of a BNC-terminated, high quality, low-loss coax cable to the BNC connector on the antenna.
4. Connect the other end of that cable to the BNC RF input jack of the wireless receiver or antenna splitter.



Notice!

The antenna's swivel mount can be tightened as desired using a screwdriver when needed.

Replacement parts

| Order number | Description |
|-----------------|------------------|
| ESP-EF01U362357 | ALPA service kit |

Compatible products

| Order number | Description |
|----------------|--|
| RE3-ACC-CXU2 | 2 foot antenna coax cable (pair) |
| RE3-ACC-CXU10 | 10 foot, 50 ohm BNC coax cable |
| RE3-ACC-CXU25 | 25 foot, 50 ohm low loss BNC coax cable |
| RE3-ACC-CXU50 | 50 foot, 50 ohm low loss BNC coax cable |
| RE3-ACC-CXU75 | 75 foot, 50 ohm low loss BNC coax cable |
| RE3-ACC-CXU100 | 100 foot, 50 ohm low loss BNC coax cable |
| RE3-ACC-RFAMP | Active RF antenna booster; 470-960MHz |

Parts included

| Quantity | Component |
|----------|---|
| 1 | Active log periodic antenna |
| 1 | Engineering datasheet |
| 1 | Warranty and product documentation information card |

Ordering information

RE3-ACC-ALPA Active log periodic antenna, 470-960MHz
Active log periodic UHF antenna with BNC connector,
470-960MHz, black
Order number **RE3-ACC-ALPA**

4 | RE3-ACC-ALPA Active log periodic antenna, 470-960MHz

Represented by:

Germany:
Bosch Sicherheitssysteme GmbH
Robert-Bosch-Ring 5
85630 Grasbrunn
Germany

Bosch Security Systems, Inc.
12000 Portland Avenue South
Burnsville MN 55337
USA

www.electrovoice.com