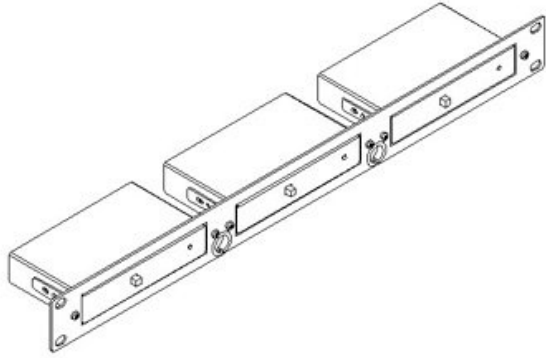




KRAMER

RK-3T

19-Inch Rack Adapter for TOOLS™



19-inch rack adapter for mounting 3 Kramer TOOLS™ into a 1U rack space

TECHNICAL SPECIFICATIONS

Product Dimensions 19" x 1.85" x 1U (43.6cm x 4.70cm x 4.40cm) W, D, H

Product Weight 0.2kg (0.5lbs) approx

Shipping Dimensions 48.90cm x 9.50cm x 2.30cm (19.25" x 3.74" x 0.91") W, D, H

Shipping Weight 0.6kg (1.2lbs) approx