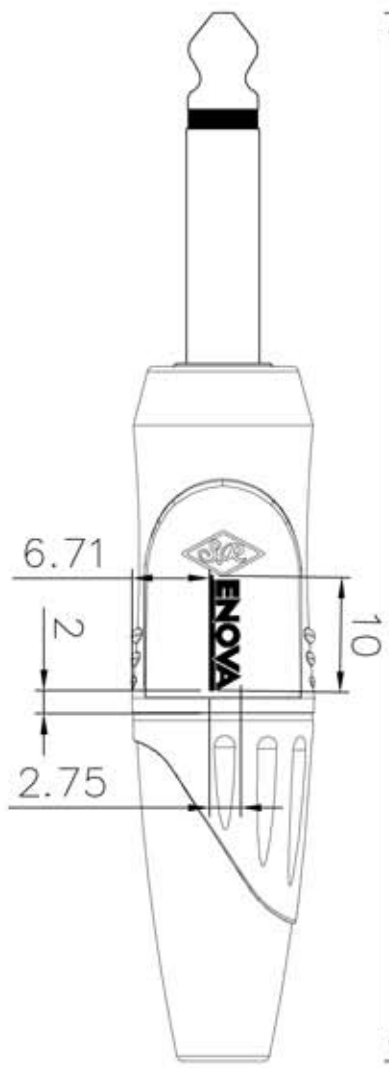
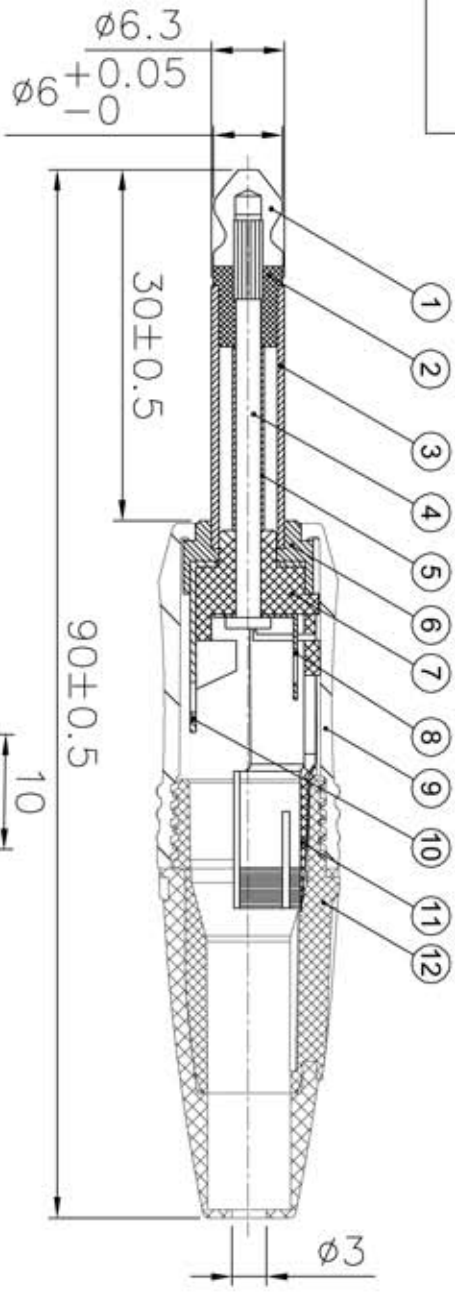


ISS	ZONE	DESCRIPTION \ PER REQUEST \ DATE
V	OPEN	Open drawings to customers



12	BOOT	PA66	BK/ORG	1	
11	CABLE CLAMP	POM	NATURE	1	
10	S-TERMINAL	H62		1	
9	DIE-CAST SHELL	ZZnAl4-1		1	
8	T-TERMINAL	H62		1	
7	INSULATOR	PA		1	
6	DIE-CAST BASE	ZZnAl4-1	NICKEL	1	
5	PLASTIC TUBE	PP		1	
4	BOLT	A3	ZINC	1	
3	SLEEVE	H62	NICKEL	1	
2	INSULATOR	PA66	ORG	1	
1	TIP	H69-1	NICKEL	1	
NO.	DESCRIPTION	MATERIAL	FINISH	Q'TY	DRAWING NO.

DIMENSIONS ARE IN MILLIMETERS  
 UNLESS OTHERWISE SPECIFIED  
 TOLERANCES:  
 ANGLES = ±5°  
 UP TO 6 = ±0.2  
 6-40 = ±0.4  
 40-120 = ±0.6  
 120-315 = ±1  
 ABOVE 315 = ±1.6

APPROVED	DATE
CHECKED	DATE
DRAWN HAONANHU	DATE 2018-12-19
FILE NO.	

# Connector Distribution GmbH

TITLE  
 6.3mm MONO PLUG

PART NO. PL22MB

REV. A1

THIRD\_ANGLE  
 SCALE 1.5/1

ERP LINK: