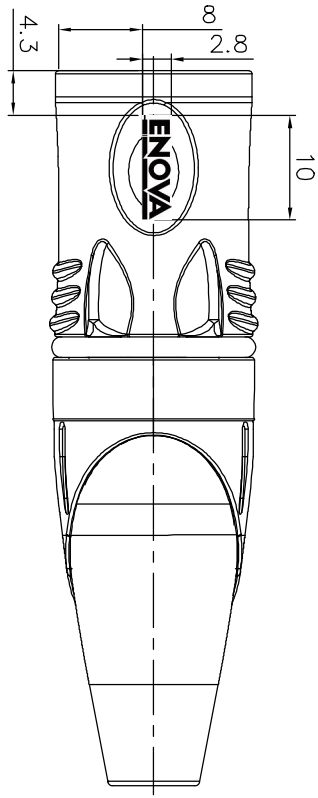
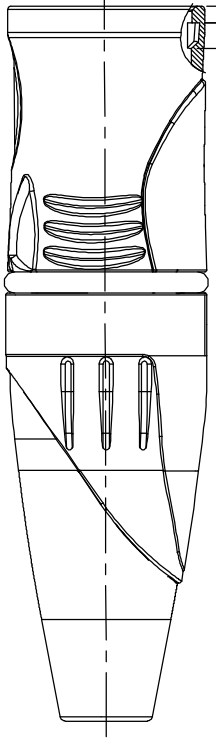
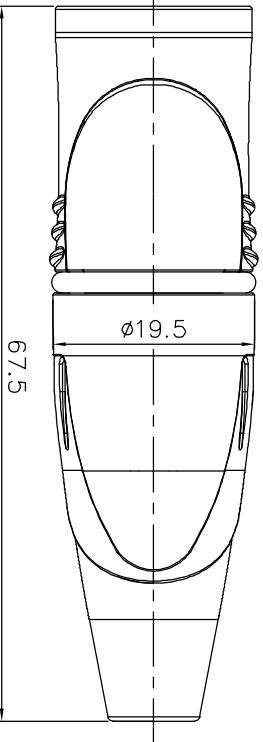
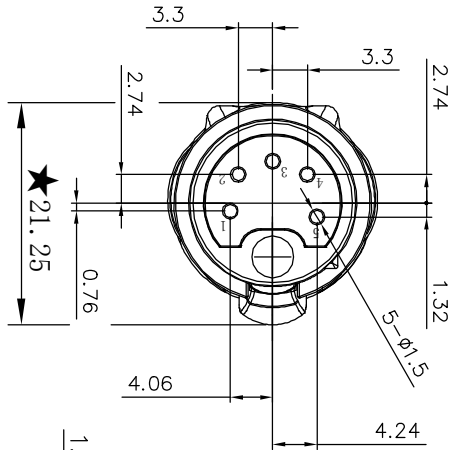
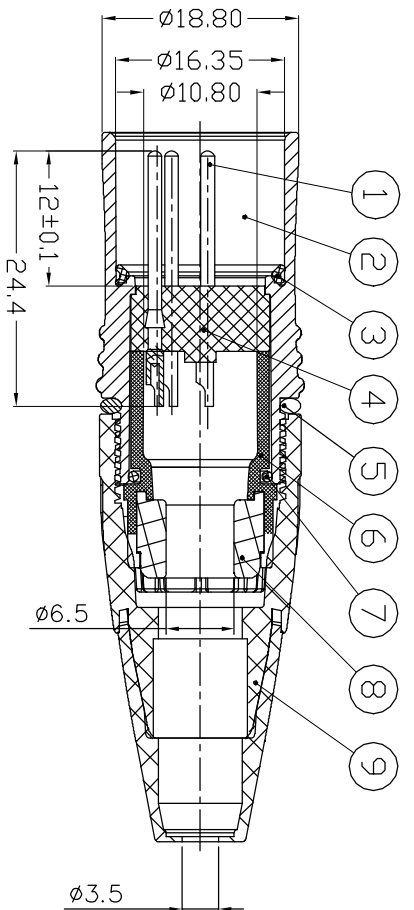


1	2	3	4	5	6	7	8
ISS ZONE		REVISIONS					
DESCRIPTION \ PER REQUEST \ DATE							
V	OPEN	Open drawings to customers					



9	CAP+BOOT	PA6+TPR	BK+OR	1	
8	WATERPROOF	NBR	BLACK	1	
7	O-WASHER	NBR	BLACK	1	
6	CABLE CLAMP	PA6	WHITE	1	
5	O-WASHER	SILICON	BLACK	1	
4	O-WASHER	SILICON	ORANGE	1	
3	INSULATOR	PA	BLACK	1	
2	PIN	H59-1	SILVER	5	
1	DIE-CAST SHELL	ZZnAL4-1	Electro-coating black	1	

DIMENSIONS ARE IN MILLIMETERS  
UNLESS OTHERWISE SPECIFIED  
TOLERANCES  
ANGLES = ±5°  
UP TO 6 = ±0.2  
6-40 = ±0.4  
40-120 = ±0.6  
120-315 = ±1  
ABOVE 315 = ±1.6

THIRD_ANGLE	SCALE	ERP LINK:
	1.5/1	

APPROVED	DATE	TITLE
CHECKED	DATE	CONNECTOR Distribution GmbH
DRAWN	DATE	WATERPROOF 5P XLR MALE CONNECTOR
FILE NO.		PLATED SILVER PIN
PART NO.		XL25MB-W
REV.		A1