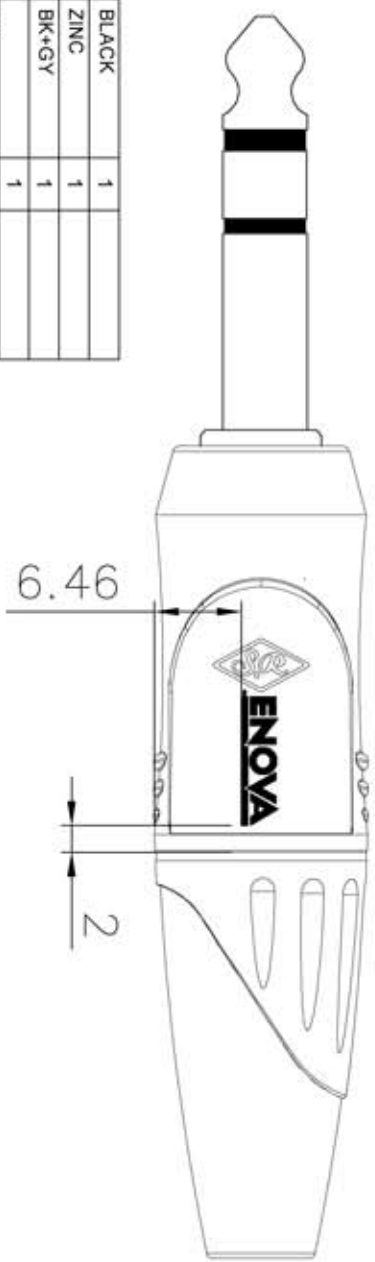
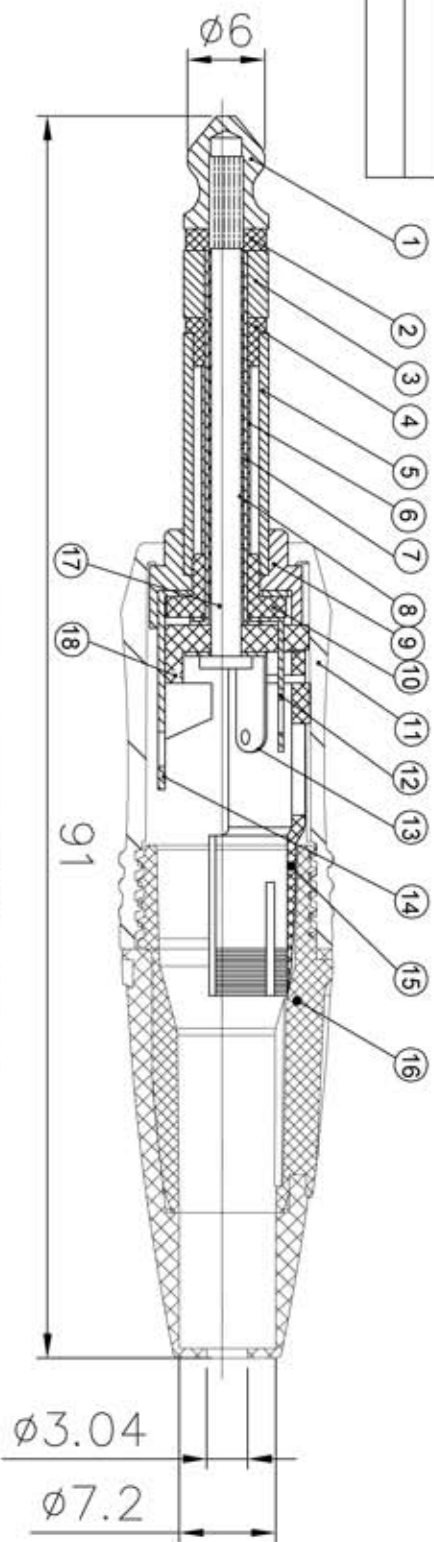


1 2 3 4 5 6 7 8

ISS	ZONE	REVISIONS
		DESCRIPTION\PER REQUEST\DATE

V	OPEN	Open drawings to customers



NO.	DESCRIPTION	MATERIAL	FINISH	Q'TY	DRAWING NO.
18	INSULATOR	PA66	BLACK	1	
17	BOLT	Q235	ZINC	1	
16	BOOT	PA66	BK+GY	1	
15	CABLE CLAMP	POM		1	
14	S-TERMINAL	H62	TIN	1	
13	T-TERMINAL	H62	TIN	1	
12	R-TERMINAL	H62	TIN	1	
11	DIE-CAST SHELL	ZZnAl4-1	MATT NICKEL	1	
10	INSULATOR	PA66		1	
9	DIE-CAST BASE	ZZnAl4-1	NICKEL	1	
8	INNERPLASTIC TUBE	PP		1	
7	SLEEVE	H62		1	
6	PLASTIC TUBE	PP		1	
5	SLEEVE	H62	NICKEL	1	
4	INSULATOR	PA66	BLACK	1	
3	MID-SLEEVE	H62	NICKEL	1	
2	INSULATOR	PA66	BLACK	1	
1	TIP	H59-1	NICKEL	1	

DIMENSIONS ARE IN MILLIMETERS UNLESS OTHERWISE SPECIFIED		APPROVED	DATE
TOLERANCES		CHECKED	DATE
ANGLES = ±5°		DRAWN HAONANHU DATE 2019-8-27	
UP TO 6 = ±0.2		FILE NO.	
6-40 = ±0.4		THIRD_ANGLE	
40-120 = ±0.6		SCALE 1/1	
120-315 = ±1		ERP LINK:	
ABOVE 315 = ±1.6		PART NO. PL23MB	
		TITLE	
		Connector Distribution GmbH	
		6.3mm STEREO PLUG	
		STEREO PHONE PLUG	
		REV.	A1