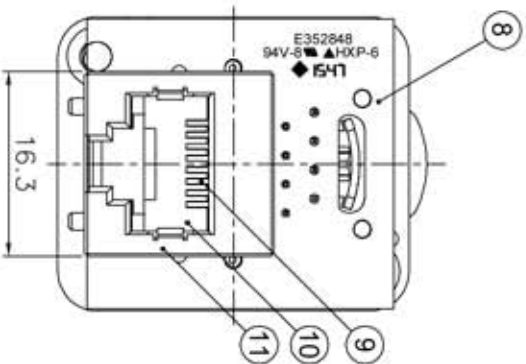
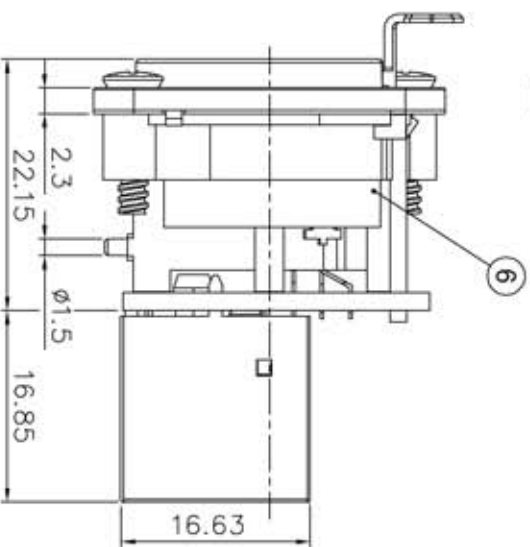
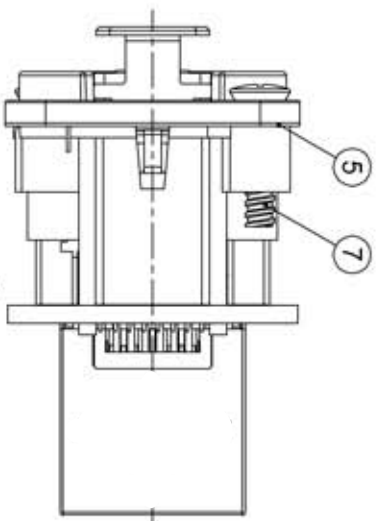
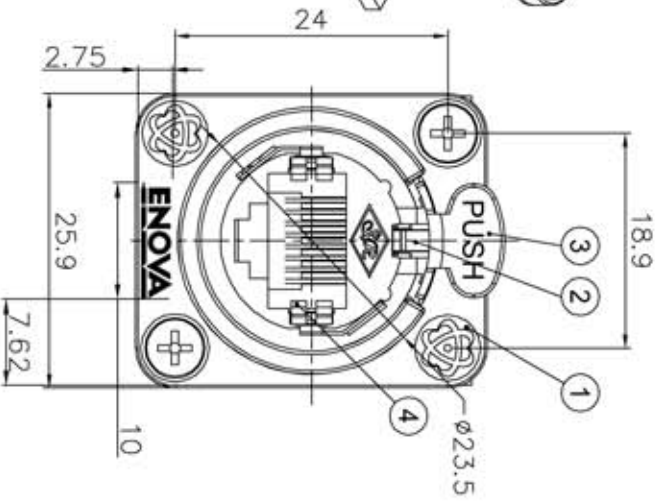
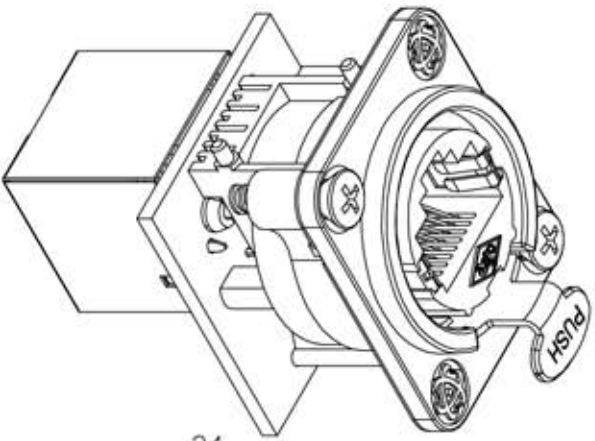


REVISIONS
 DESCRIPTION\PER REQUEST\DATE

ISS	ZONE	DESCRIPTION\PER REQUEST\DATE
V	OPEN	Open drawings to customers



11	COPPER SHELL	C2680	Nickel	1	
10	INSULATOR	PBT	Black	1	
9	8P PIN	Phosphor Bronze		2	
8	PCB, T=1.6mm	FR-4		1	
7	SCREW	SUS304	Nickel	2	
6	PLASTIC BASE	PBT	Black	1	
5	METAL SHEET	H62	Bright tin	1	
4	GROUND	Phosphor Bronze	Bright tin	2	
3	PUSH BUTTON	SUS304	Nickel	1	
2	LATCH	65Mn	Blackening	1	
1	DIE-CAST SHELL	ZZnAL4-0	Nickel	1	
NO.	DESCRIPTION	MATERIAL	FINISH	Q'TY	DRAWING NO.

DIMENSIONS ARE IN MILLIMETERS
 UNLESS OTHERWISE SPECIFIED
 TOLERANCES
 ANGLES = ±5°
 UP TO 6 = ±0.2
 6-40 = ±0.4
 40-120 = ±0.6
 120-315 = ±1
 ABOVE 315 = ±1.6

APPROVED DATE
 CHECKED DATE
 DRAWN QINSUN DATE 2020-01-03
 FILE NO.
 THIRD_ANGLE
 SCALE 1.5/1

Connector Distribution GmbH

TITLE
 ETHERNET CAT5E RJ45 CONNECTOR

PART NO.
 RJ18FN-C5F

REV. A1