

Features

- * Built-in 10 zone selector and paging selector, which can be expanded to 300 zones
- * Work together with remote paging console for paging and control over 10 zones.
- * Individual zone, group zones, 10 zones and all zones paging through remote paging console.
- * With memory function when power off, can realize the restoration after electricity be turn on
- * 2 channels 10 zones amplifier inputs(A channel for BGM amplifier and B channel for EMC/paging amplifier), in this way, the other zone's music system will not be interrupted when some zone is selected for paging.
- * 2 flexible amplifier connections: either 20 amplifiers wiring(10 BGM amps and 10 EMC/paging amps, there must be one of BGM amp and EMC/paging amp as one channel) and each of the 10 amps severs as one zone or 2 amplifiers wiring(1 BGM amp and 1 EMC/paging amp) and one amplifier divides into 10 zones.
- * Each zone power capacity is 500W, and the total ten zones's capacity is 5000W
- * 10 zone speaker output terminals
- * All zone alarm in (A/B 2 channels) and all zone alarm output (A/B 2 channels)
- * Two-color zones status indicators accurately indicate music, paging or alarm status
- * Mic 1-2 inputs, line 1-2 inputs, audio output
- * 3 levels of input priority from high to low: EMC input, Mic1, remote paging console (equivalent priority with built-in chime).
- * Built-in chime, chime volume and trigger are provided
- * Zone 1-10 selector, music/paging switch and all zone selector all are equipped with indicators.
- * Volume control over Mic 1-2 are provided
- * 2 RJ45 communication ports for paging console or cascade another paging controller
- * Dipswitch as ID address to be distinguished by controller or paging console

Optional

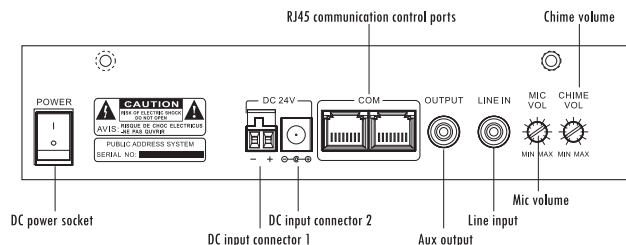
- * Panel with/without handhold

Specifications

Model	T-6212(A)
Input	MIC1, 2: 600Ω , 5mV, unbalanced Line1, 2: 10KΩ , 775mV, unbalanced
Output	80dB
Frequency Response	MIC: 100Hz~15KHz; Line: 30Hz~18KHz
S/N Ratio	MIC input: 60dB Line input: 80dB
Controls	MIC1, 2 gain controls, 10 channel selectors, chime button, power switch
Indicators	Power LED, 10 paging channel LEDs
Protection	AC fuse, 1A
Power Supply	~110V/60Hz or ~230V/50Hz or DC 24V
Power Consumption	40W
Weight	4.6Kg
Dimensions	484×350×88mm
Communication Protocol	RS422
Communication Input	RJ45
Communication Speed	4800bps
Finish	Panel: aluminum plate, black or golden (optional) Case: steel plate, black



Rear Panel



Specifications

Model	T-218(A)
Input	MIC: 600Ω , 10mV, unbalanced Line: 10KΩ , 775mV, unbalanced
Output	Balanced
Frequency Response	MIC: 100Hz~15KHz; Line: 30Hz~18KHz
S/N Ratio	MIC input: 60dB Line input: 80dB
Controls	Chime MIC VOL controls, 160 channel selectors, chime button, power switch
Indicators	Powter LED, 10 paging channel LEDs
Protection	AC fuse, 0.5A
Power Supply	DC 24V
Power Consumption	10W
Weight	1.25Kg
Dimensions	245×200×75mm
Communication Protocol	RS422
Communication Input	RJ45
Communication Speed	4800bps
Finish	Panel: steel plate, black Case: steel plate, black Side board: plastic, black

Descriptions

The T-218(A) is a high performance remote zone paging console that works with zone paging controller T-6212(A) for remote paging and control over a multi-zone system.

Several paging modes (all zone, group zones, 10 zones and individual zones) could be achieved through this paging console.

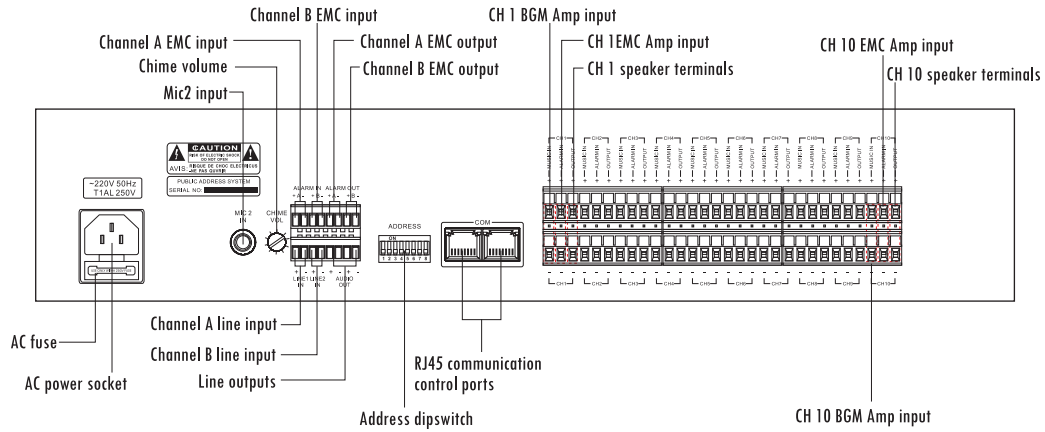
Features include capability of 16 microphones and 300 paging zones work at the same time, the T-218(A) will easily distinguish T-6212(A) with its pre-set ID address.

T-218(A)'s paging system with priority over background music system.

Features

- * With operation number input keys and LED display
- * Capacity of manage 30 paging selectors T-6212(A), up to 300 zones
- * Max remote control distance up to 1Km
- * With microphone volume control
- * RCA line input and output
- * Built-in chime and chime volume control
- * Max 16 microphone work together with RJ45 port in series connection

Rear Panel



Connections

