

### Features

- Built-in 100v/70v transformer
- Indoor column type loudspeaker
- 4×4" full range driver
- Power taps at 20w-40w @100V
- Aluminum enclosure & fabric grille in grey
- 180 degree rotatable mounting bracket is supplied

### Description

The T-704B is an indoor column speaker built-in 70v/100v transformer. The 70v/100v transformer technique reduces line losses on longer distance and allows easy parallel connection of multiple loudspeakers.

The built-in four units 4" full range speaker drivers are designed of wide frequency response 200-16kHz, the power output of 20W & 40W could meet different applications varies from room size and ambient noise surroundings.

The aluminum enclosure and fabric grille are of grey color. Easy and secure wall mount through the supplied 180 degree rotatable mounting bracket.

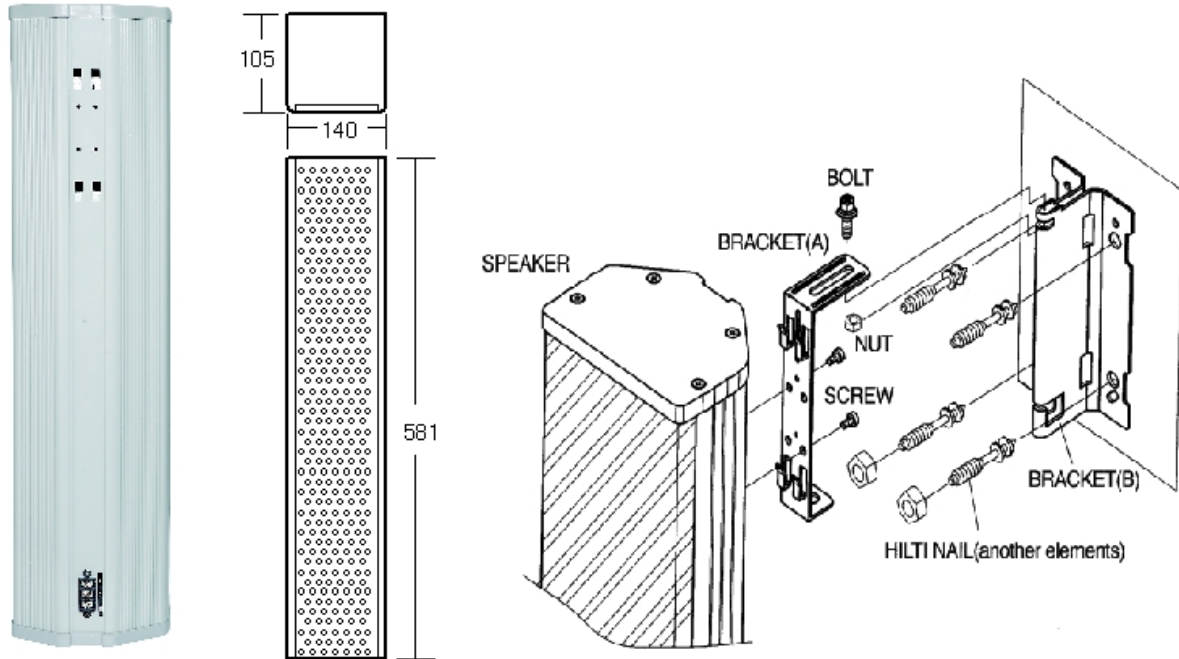
It is ideal choice for industrial and commercial applications in the indoor area of hotel, school, office, restaurant and factory where background music and paging is needed.



### Specification

Model	T-704B
Power Taps @100V	40W, 20W
Power Taps @70V	20W, 10W
Impedance	Com/ 250Ω/ 500Ω
SPL(1W/1M)	93dB ±3dB
Max. SPL (Rated W/1M)	109dB
Frequency Response (-10dB)	200-16KHz
Finish	Body: Aluminum, Gray Cover: ABS, Gray
Speaker Driver	4" ×4
Dimensions	140×105×581mm
Weight	4.4kg
Mounting	With mounting bracket fixed by screw

## Appearance:



## Frequency Response

