

ABT-HP240EN ABT-HP120EN

EN 54-24

HIGH POWER LOUDSPEAKER

- ✓ Compliance with EN 54-24
- ✓ Certificate of Conformity issued by CNBOP: 1438-CPR-0482
- ✓ 240 W and 120 W transformers 100 V
- ✓ Highest level of speech intelligibility
- ✓ Waterproof housing IP65
- ✓ Wide frequency range suitable for music
- ✓ Compliance with BS5839-8 standard (Thermal protection)

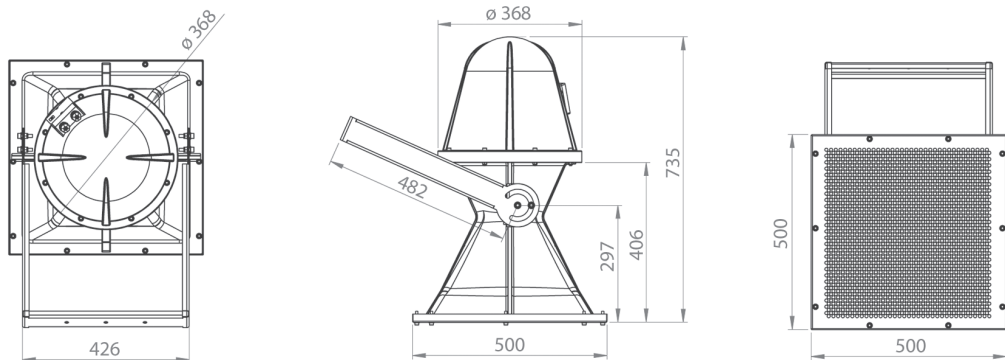


ABT-HP240EN and ABT-HP120HP are powerful loudspeakers designed for sport venues. They are two-way loudspeaker equipped with electroacoustic transducers 12" + 1,75" and 8" + 1,3". These speakers sets have a wide effective frequency band, which is perfect for

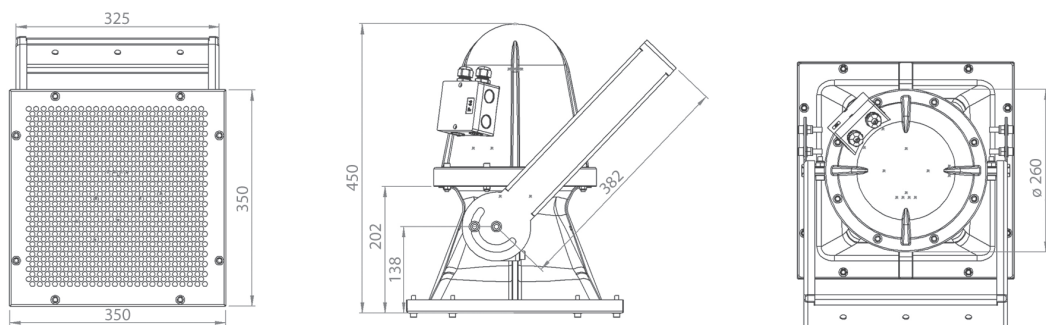
the transmission of verbal and musical communication. Universal mounting method allows to mount the speakers in a simple manner. Waterproof housing makes that it can be successfully used outdoors (stadiums, halls, etc.).

ABT-HP240EN and ABT-HP120EN are equipped with the necessary instrumentation required to connect them to the voice evacuation system. Between the ceramic block and speaker transformer there is installed thermal fuse isolating transformer from a loudspeaker line.

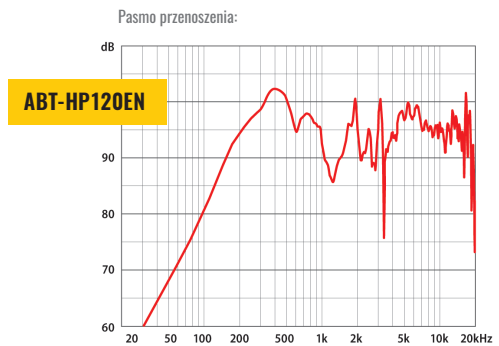
ABT-HP240EN



ABT-HP120EN

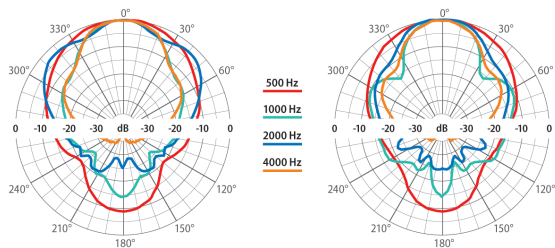


	ABT-HP240EN66	ABT-HP240EN94	ABT-HP120EN66	ABT-HP120EN94
Electrical				
Number of transducers	2	2	2	2
Rated power, W	240	240	120	120
Tappings 100 V line according to EN 54-24, W	240 / 120 / 60	240 / 120 / 60	120 / 60 / 30	120 / 60 / 30
Tappings 70V line, W	120 / 60 / 30	120 / 60 / 30	60 / 30 / 15	60 / 30 / 15
Transformer impedance @100 V, Ω	42 / 84 / 167	42 / 84 / 167	84 / 167 / 333	84 / 167 / 333
Driver impedance, Ω	8	8	8	8
Effective frequency range, Hz	65 – 20 000	65 – 20 000	85 – 20 000	85 – 20 000
Sensitivity @ 4 m, 1 W, dB	84	84	81	81
SPL @ 4 m, Rated power, dB	108	108	105	105
SPL @ 1 m, 1 W, dB	96	96	93	93
SPL @ 1 m, Rated power, dB	120	120	117	117
Horizontal dispersion at 500 Hz / 1 kHz / 2 kHz / 4 kHz, [°]	110 / 60 / 65 / 55	110 / 60 / 85 / 55	160 / 90 / 45 / 35	165 / 120 / 80 / 60
Vertical dispersion at 500 Hz / 1 kHz / 2 kHz / 4 kHz, [°]	105 / 60 / 65 / 55	105 / 65 / 80 / 65	160 / 90 / 45 / 35	160 / 100 / 65 / 45
Environmental				
Environmental type / IP Rating according to EN 54-24				B / IP33C
IP Rating				IP65
Min/Max Amb Temp				-25°C / 70°C
Mechanical				
Dimensions, mm	500 × 500 × 735	500 × 500 × 735	350 × 350 × 450	350 × 350 × 450
Net Weight, kg	29	29	16	16
Colour	Black (RAL 9005)			
Material	Glass fiber			
Mounting	U Type Bracket			
Option				
Colour optional	RAL Palette			
Ease Model				
	✓			

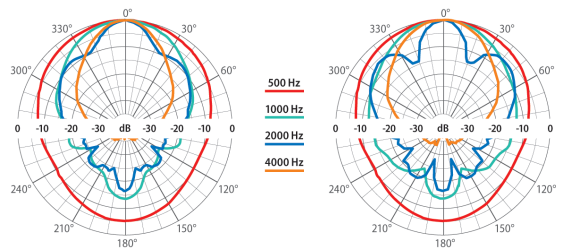


horyzontalny << wykres kołowy charakterystyki kierunkowej >> wertykalny

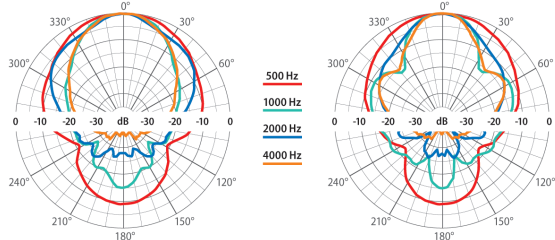
ABT-HP240EN66



ABT-HP120EN66



ABT-HP240EN94



ABT-HP120EN94

