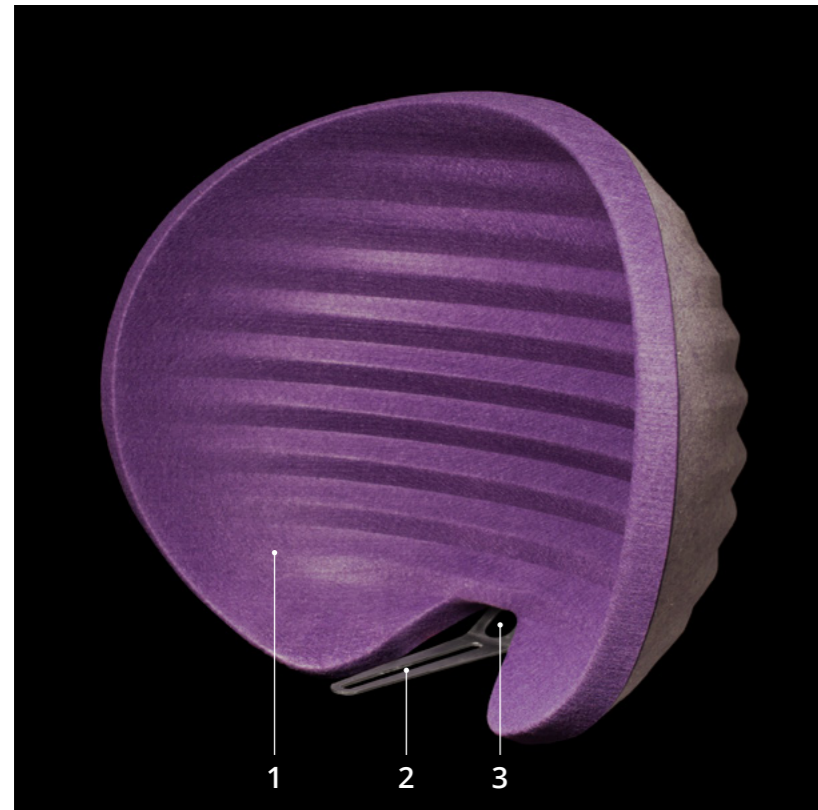


Aston Halo Components



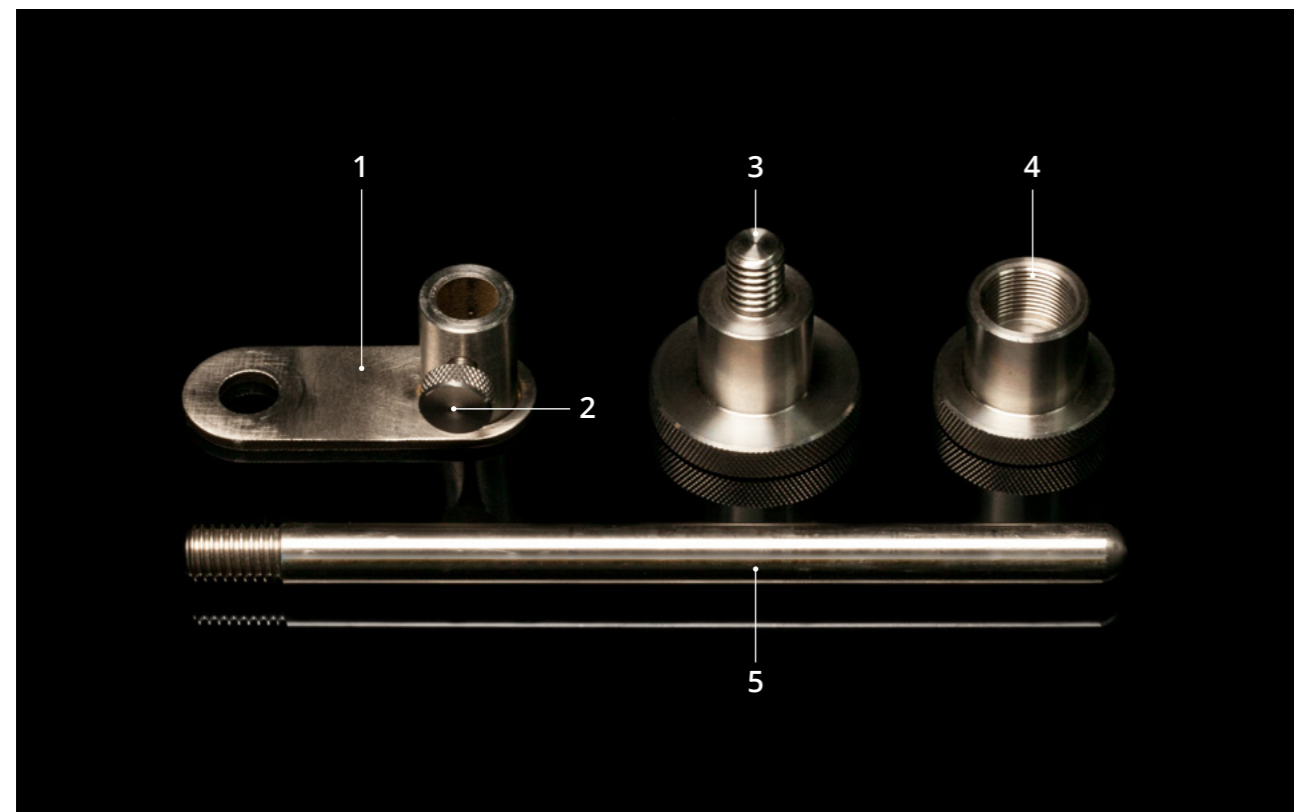
Picture A:

1. Halo reflection filter
2. Horizontal mounting bar
3. XLR cable tidy

Picture B:

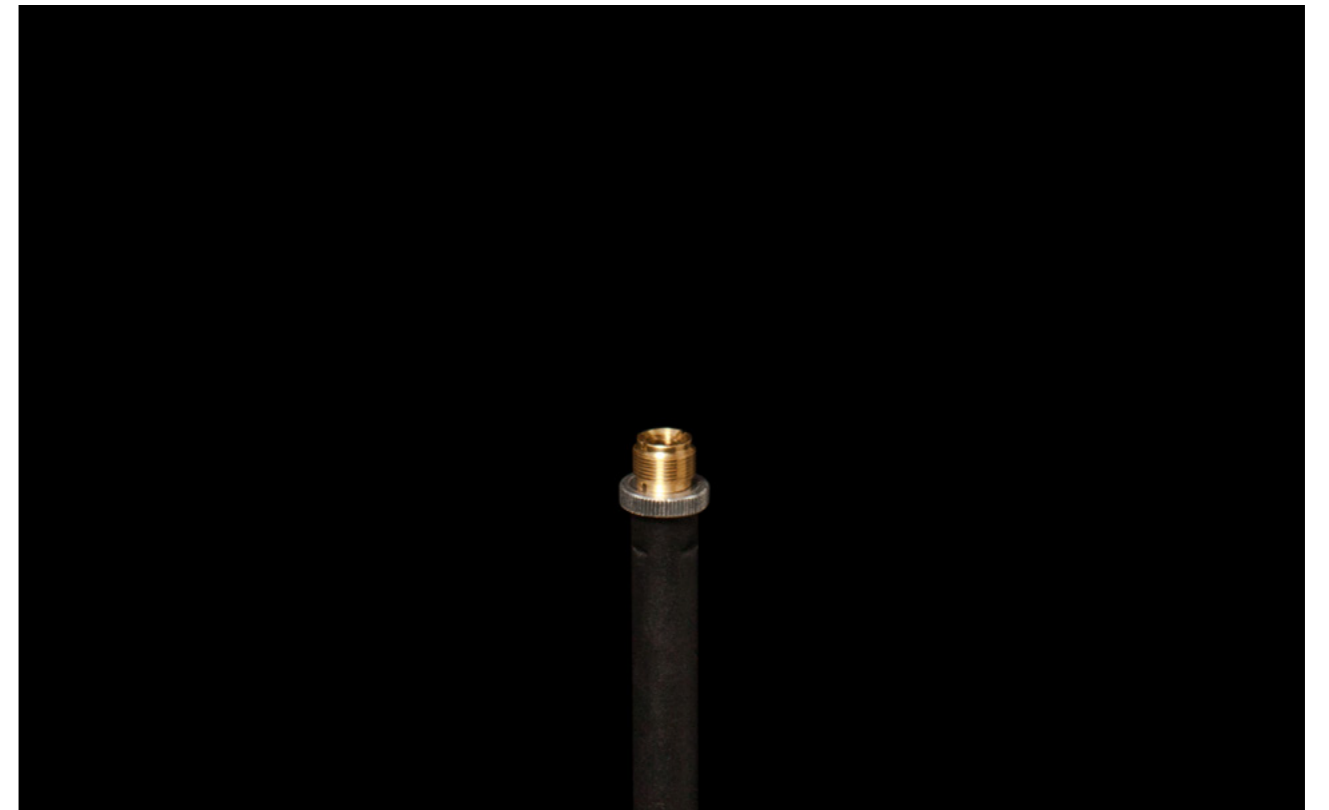
1. Support rod clamp
2. Fixing screw
3. Fixing knob
4. Stand mount
5. Height adjustment support rod

Picture A

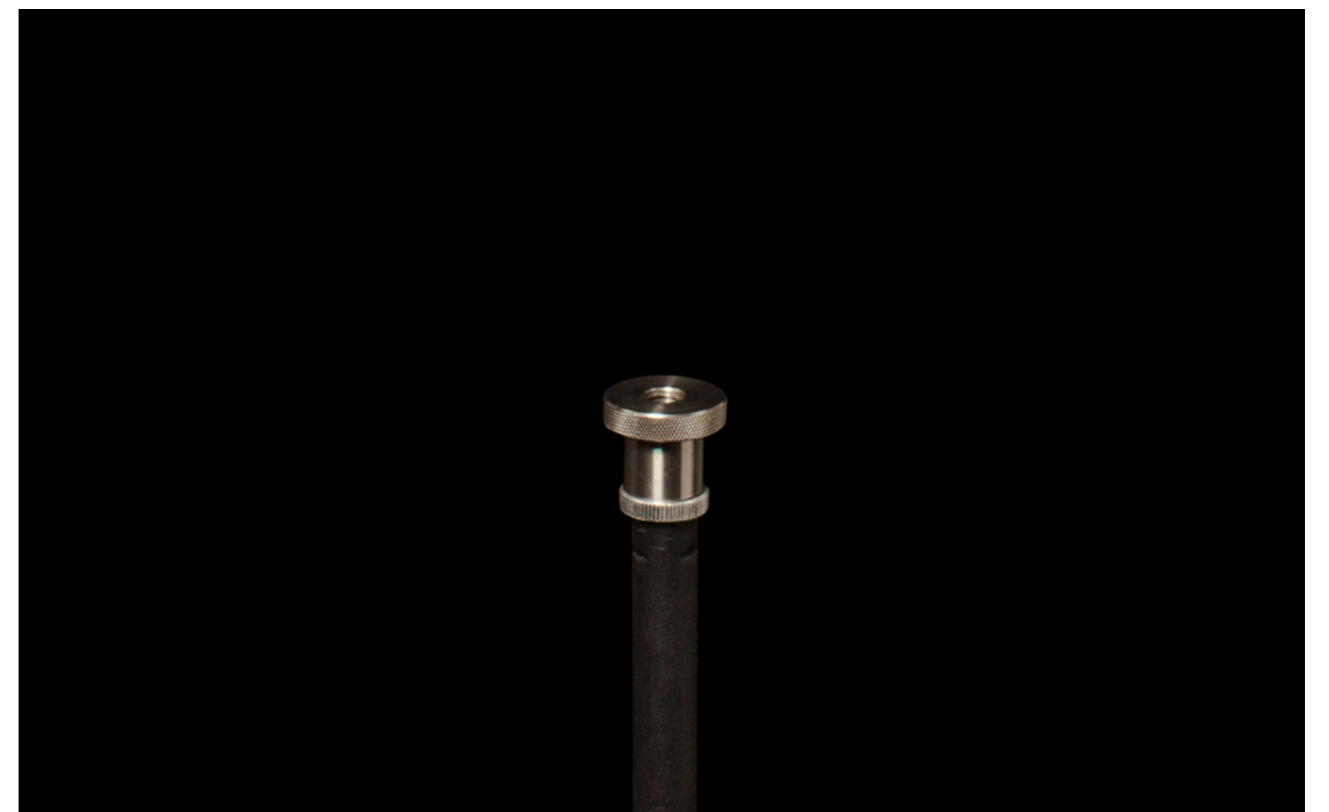


Picture B

Setting up your Aston Halo



1. Mic stand (not included) - fitted with USA Thread adapter on EU stands



2. Fix the 'stand mount' piece to your mic stand



3. Position 'horizontal mounting bar' over 'stand mount'



5. 'Support rod clamp' to rear for mounting mics with shock mount



4. Position 'support rod clamp' onto 'horizontal mounting bar' with fixing hole aligned with 'stand mount hole'



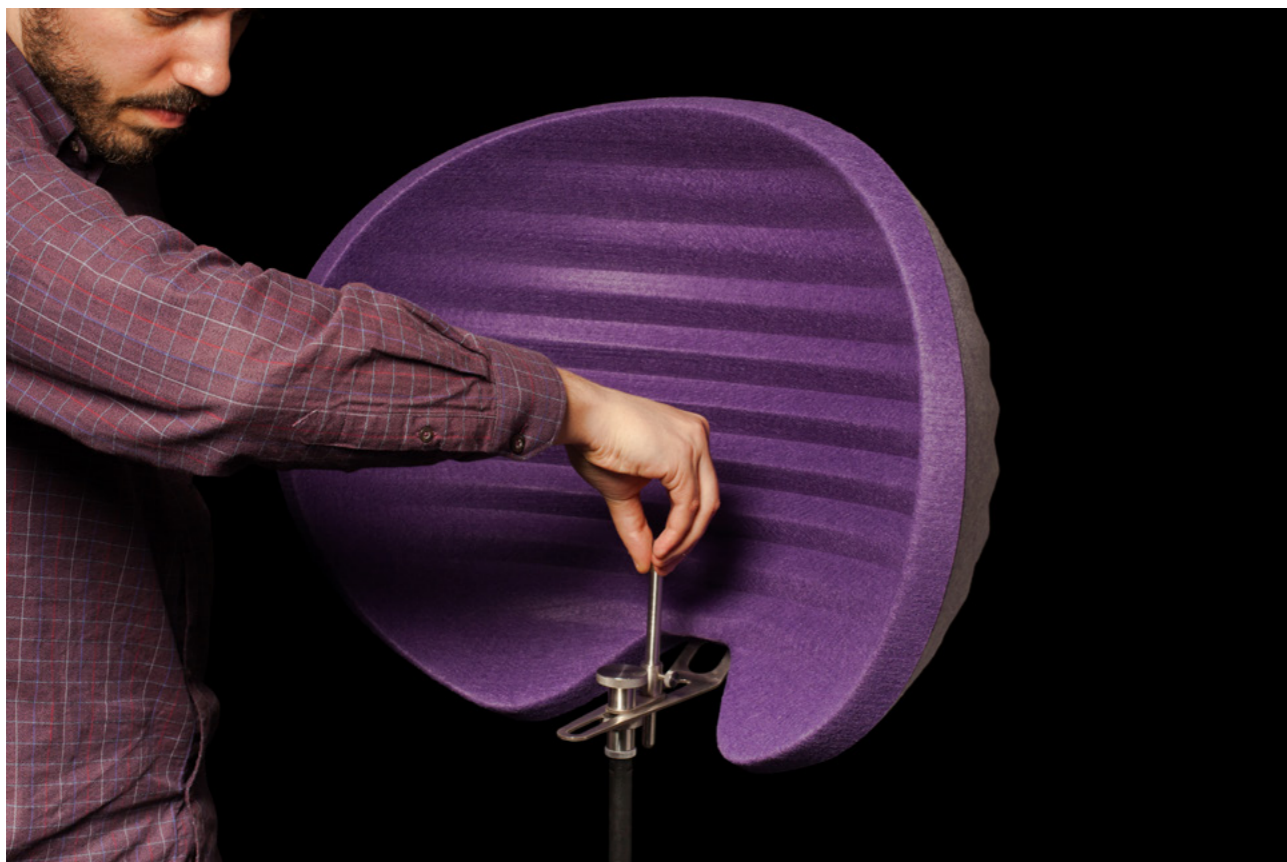
6. 'Support rod clamp' to front for direct to mic mounting (e.g. Aston Origin and Spirit)



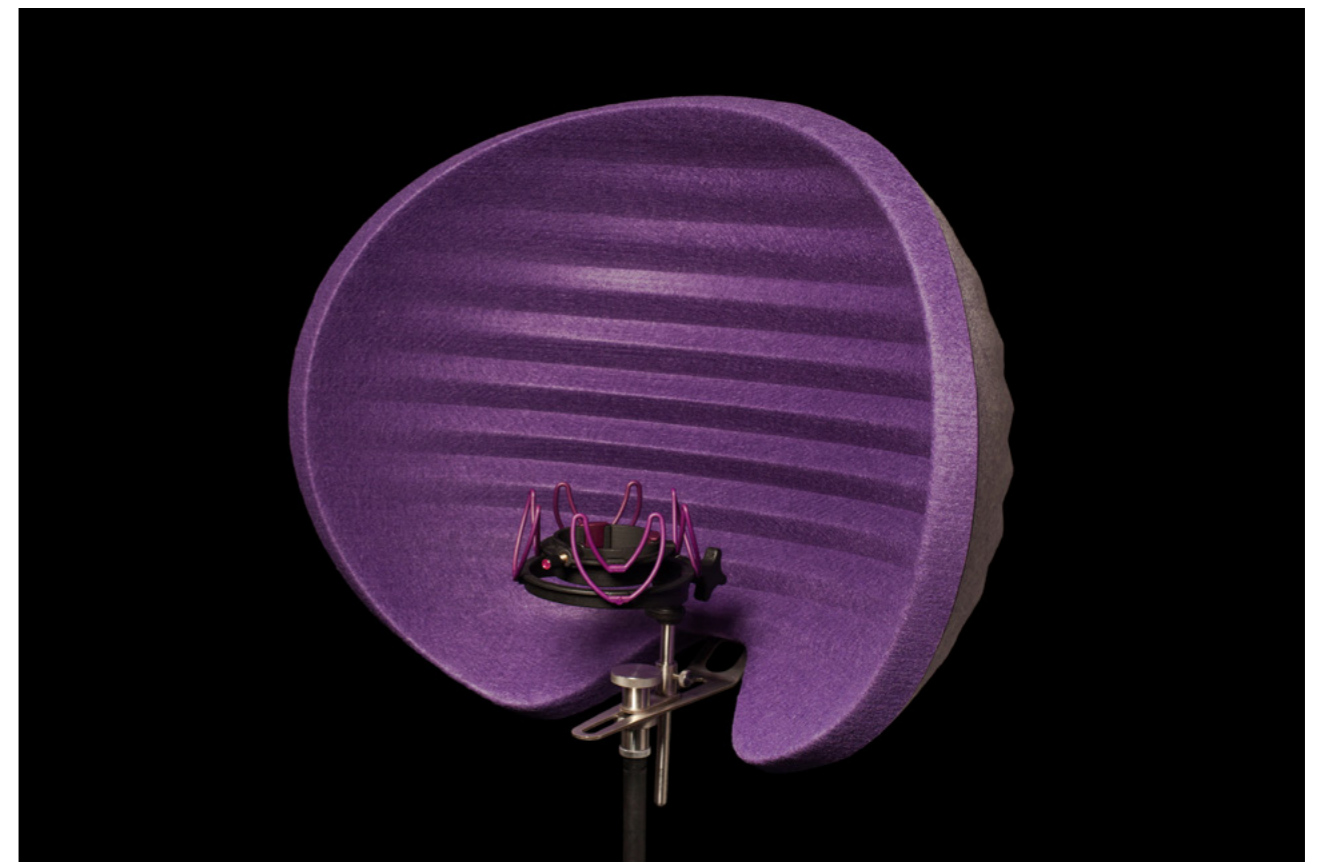
7. Attach and tighten 'fixing knob' through 'horizontal mounting bar' and adjust to desired position



9. Your Halo is now ready for mic attachment (a thread adapter on 'support rod' is required for USA)



8. Position 'support rod' in place using 'fixing screw'



10. Add your shock mount (Aston Rycote USM pictured not included)

Using your Aston Halo

Now you've set up your Halo and your mic. You're ready to record.

To adjust the depth of the mic in the Halo simply loosen the fixing knob and slide the assembly along the horizontal mounting bar to achieve the desired degree of treatment; move your mic further inside the filter to reduce room ambience and increase isolation, further out to allow the mic to 'breathe' more and give a more live sound.

The height of the microphone can be adjusted using the support rod. Simply loosen the fixing screw and move the assembly up or down to get the perfect position. You should aim to get the head of the mic (the capsule position) as close to the centre point of the Halo as possible.

Halo is equally at home on vocals, acoustic guitar and any other instrument where you're using a large diaphragm, side-fire microphone. The key to getting the best possible recording is to listen before recording and experiment with the positioning which gives you the best results.

Hey presto – your perfect recording set up is ready to rock roll - now enjoy!



11. Add your microphone (Aston Spirit pictured not included)



12. Thread XLR lead (not included) through 'XLR cable tidy'