

BrackIT[®] XXL HD II

Full motion wall mount

Item no.: 8422

The full motion wall mount BrackIT[®] XXL HD II is suitable for large screens with 65 - 98" | 165 - 249 cm.

It can be used in landscape as well as portrait format.

The included VESA mount can be equipped from min. VESA 200 x 200 mm up to VESA 1.000 x 600 mm.

With a flat wall distance of only 50 mm, it is one of the flattest mounts for large screens.

The angle of inclination of the mount can be adjusted and can be varied continuously between -6° and $+7^{\circ}$.

Depending on the size of the screen, the mount can be swiveled by $\pm 45^{\circ}$.

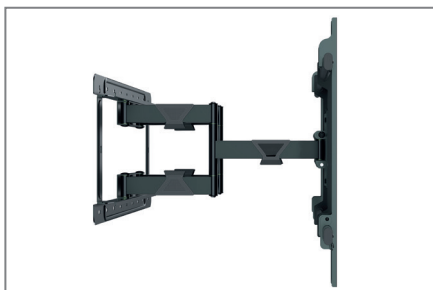
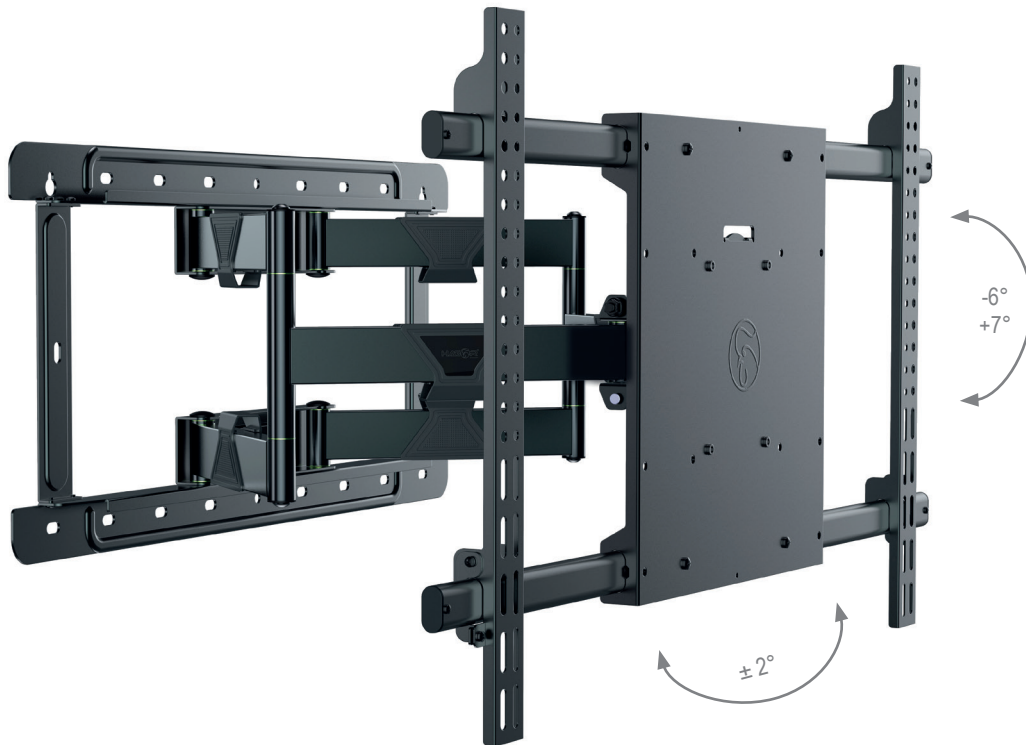
Levelling of $\pm 2^{\circ}$ is also possible.

The wall distance can be adjusted between a minimum of 50 mm and a maximum extension length of 648 mm by means of the stable extension.

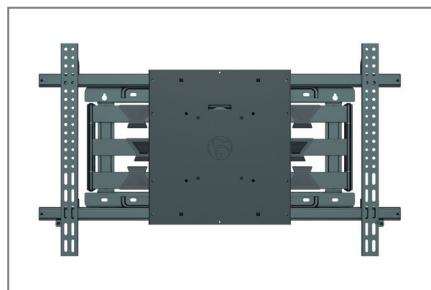
Cable clips along the extension ensure clean and safe cable routing.

The surfaces of the BrackIT[®] XXL HD II are refined by a solvent-free, as well as impact- and scratch-resistant powder coating in black.

The maximum load capacity is 140 kg.



Cable routing with cable clips



VESA min. 200 x 200 - max. 1.000 x 600 mm



distance to wall variable from 50 to 648 mm

BrackIT[®] XXL HD II

Full motion wall mount

Item no.: 8422

- 65 - 98" | 165 - 249 cm
- Landscape or portrait format
- incl. VESA -
min. 200 x 200 mm up to 1.000 x 600 mm
- variable wall distance between 50 and 648 mm
- - 6° bis + 7° tiltable (tool needed)
- ± 45° swivelling (depending on screen size)
- ± 2° level adjustment
- 50 mm distance to wall
- 140 kg load, max.
- incl. cable clips for neat cable routing
- incl. drilling template and spirit level for quick and easy installation
- impact and scratch resistant powder coating
- Colour: black

